

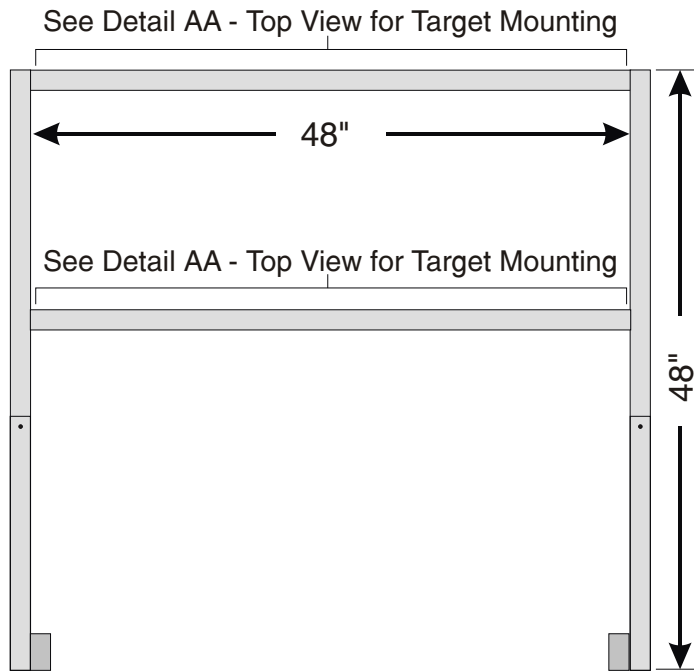
Click the "Back" button to go back to the previous webpage.

NEWBOLD™

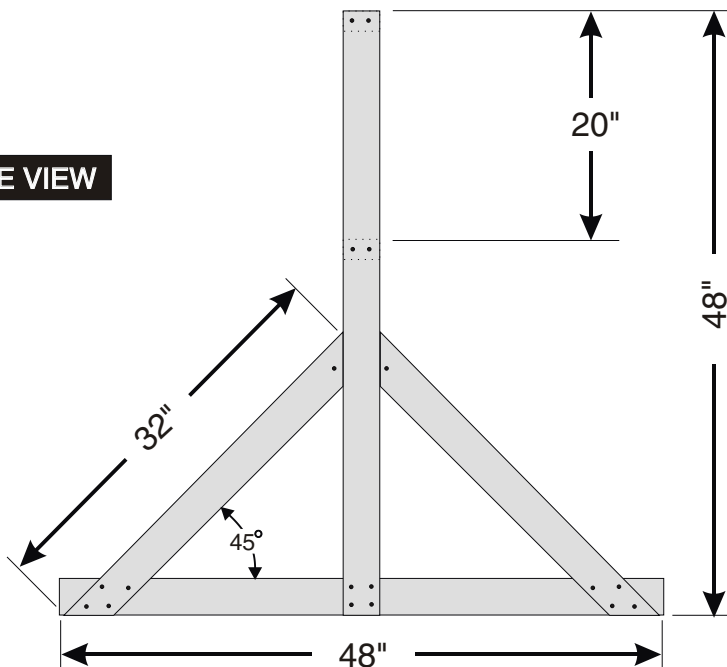
198 Egel Avenue, Middlesex, New Jersey 08846-2593

TARGET STAND

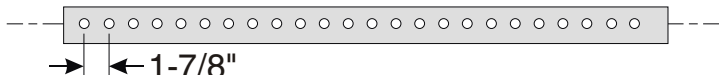
FRONT VIEW



SIDE VIEW



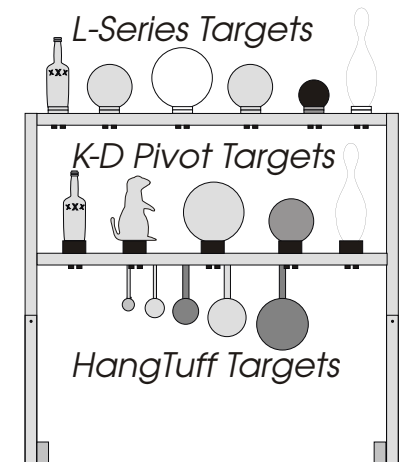
DETAIL AA - TOP VIEW for TARGET MOUNTING:
DRILL (24) 9/16" DIA. HOLES ON 1-7/8" CENTERS
DOWN THE CENTER-LINE OF (2) 48" LONG 2X3s.



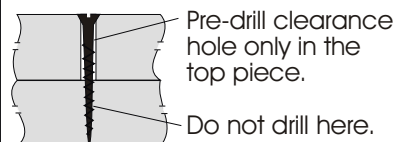
BILL OF MATERIALS:

- (6) 48" long 2X3s (or 2X4s)
Drill (24) holes in two of these. (See Detail AA, below.)
- (4) 32" long 2X3s (or 2X4s)
Cut both ends at a 45 degree angle.
- (1) Box of 3" drywall screws.
Drive the screws into the wood with a power drill. To make it easier, pre-drill the top piece with a drill that's slightly larger in Dia. than the screw. (See Detail BB, below.)

SAMPLE TARGET SETUP



DETAIL BB: JOINING THE WOOD WITH SCREWS:



Questions? Call: 1-800/992-3301